

LED DOWNLIGHTS

Professional architectural downlights, for when quality and reliability is a must. Beautifully designed with both performance and longevity in mind, this is a downlight range which brings both excitement and peace of mind.



20W DOWNLIGHT

Lense Options:
15°/25°/40°

RGBW/RGBA/TW



5W DOWNLIGHT

Lense Options:
15°/25°/40°

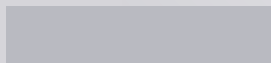
RGBW/RGBA/TW



LED DOWNLIGHTS - 5W



AVAILABLE COLOURS



ANODISED ALUMINIUM

5W RGBW/RGBA/TW CC LED DOWNLIGHT

Setting the bar for lighting excellence, with a high performance mix-at-source multi-chip LED housed in a precision engineered anodised aluminium housing, this will no doubt be the lighting professionals' downlight of choice for years to come.

Compatible With : 350mA DMX Drive

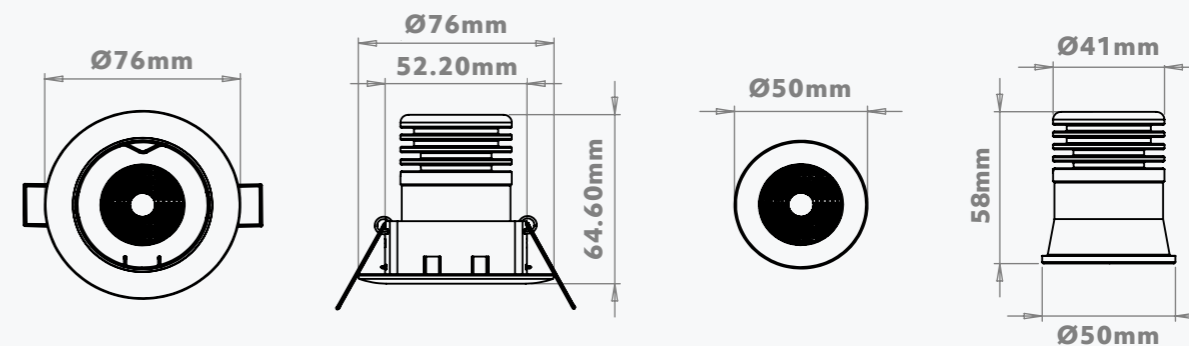
TECHNICAL SPECIFICATIONS

Channels **4Ch**
Wattage **4.8W**
Input Current **350mA**
IP Rating **IP20**
LED Type **RGBW /RGBA / TW**
Housing Cut Out **65mmØ**
Lens Options **15°/25°/40°**
LED Connection **RJ45**
Lumen Output **284lm [RGBW] / 227lm [RGBA] / 446lm [TW]**
Operating Temp Range **-20 to 50 °C**

OPTIONAL ACCESSORIES

T-Piece Connector **RJ45**
Gimbal **Static**

DIMENSIONS



OPTIONAL STATIC GIMBAL HOUSING



LED DOWNLIGHTS - 20W



AVAILABLE COLOURS



20W RGBW/RGBA/TW

CC LED DOWNLIGHT

Our most powerful downlight, with four high performance mix-at-source multi-chip LEDs, providing a homogeneous and powerful wash of colour.

Compatible With : 350mA DMX Drive

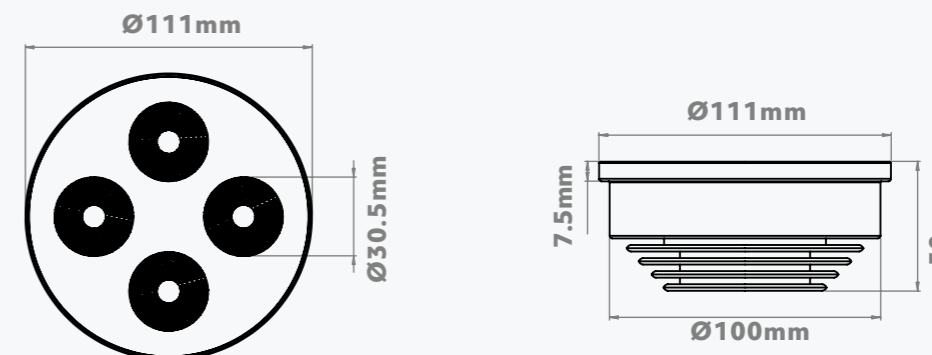
TECHNICAL SPECIFICATIONS

Channels **4Ch**
Wattage **4.8W**
Input Current **350mA**
IP Rating **IP20**
LED Type **RGBW /RGBA / TW**
Housing Cut Out **65mmØ**
Lens Options **15°/25°/40°**
LED Connection **RJ45**
Lumen Output **284lm [RGBW] / 227lm [RGBA] / 446lm [TW]**
Operating Temp Range **-20 to 50 °C**

OPTIONAL ACCESSORIES

T-Piece Connector **RJ45**
Gimbal **Tilttable**

DIMENSIONS



OPTIONAL TILTABLE GIMBAL HOUSING

GLOSS WHITE

